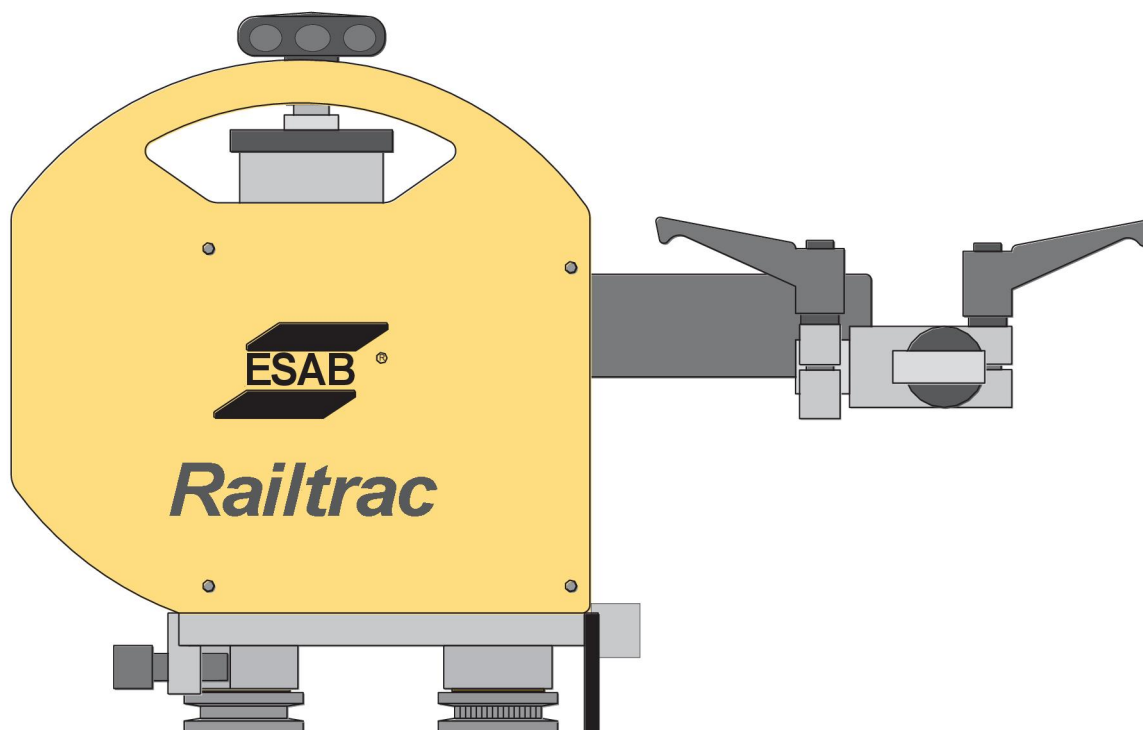




Railtrac™ B42V, ***Railtrac™ BV2000***



Spare parts list

Spare parts may be ordered through your nearest ESAB dealer, see [esab.com](https://www.esab.com). When ordering, please state product type, serial number, denominations and ordering numbers according to the spare parts list. This facilitates dispatch and ensures correct delivery.

Maintenance and repair work should be performed by an experienced person, and electrical work only by a trained electrician. Use only recommended spare parts.

For accessories to the product, see the instruction manual.

TABLE OF CONTENTS

CARRIAGE 4

SLIDE 5

CONTROL BOX 6

WEAVING UNIT 7

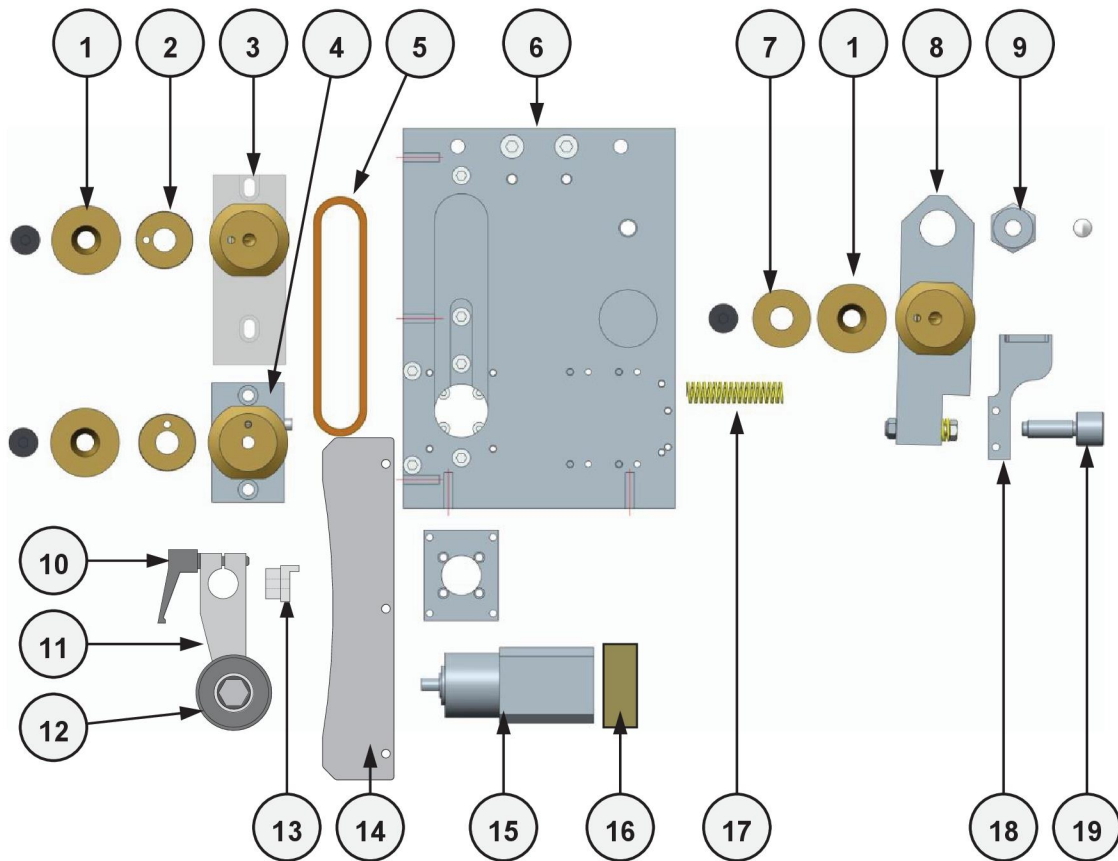
TORCH BRACKETS 8

REMOTE CONTROL 9

ORBITAL KIT B42V 10

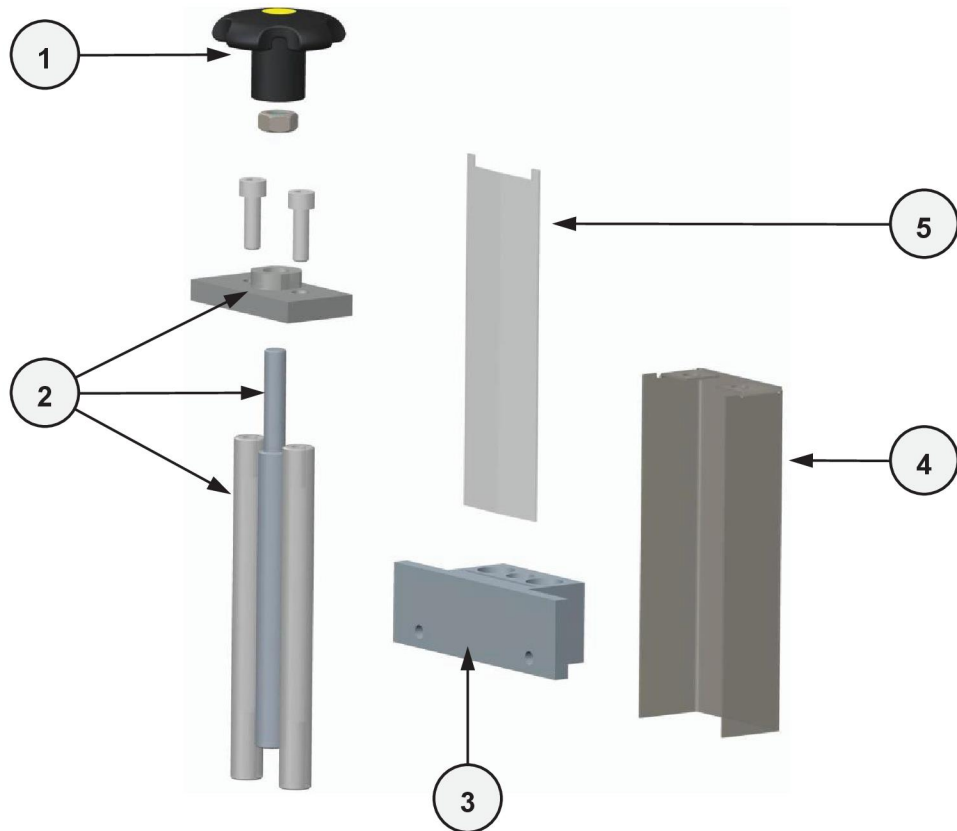
RAIL BRACKET BV2000 12

CARRIAGE



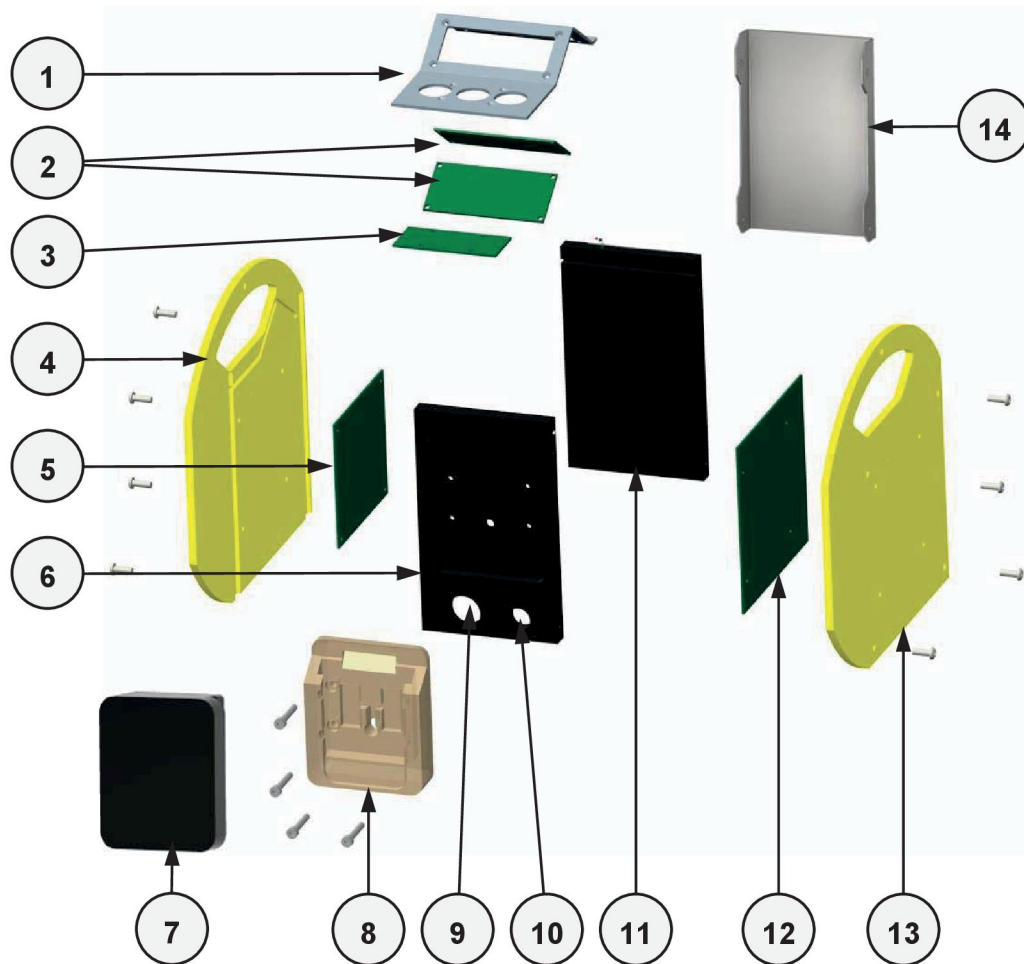
Item	Ordering no.	Denomination	Item	Ordering no.	Denomination
	0398 146 154	Bottom pl. w. motor and drive unit	10	0398 145 732	Lever M6
1	0398 146 234	Drive wheel disk	11	0398 146 520	Arm support wheel
2	0398 146 516	Drive wheel Railtrac	12	0398 146 521	Support wheel
3	0398 146 509	Drive wheel unit long	13	0398 146 523	Bracket support arm
4	0398 146 528	Drive wheel unit short	14	0398 146 527	Protection plate
5	0398 146 517	Chain	15	0398 145 519	Motor carriage
6	0398 146 515	Bottom plate carriage	16	0398 145 520	Motor driver carriage
7	0398 146 524	Locking wheel	17	0398 146 531	Spring long
8	0398 146 511	Arm w. locking wheel	18	0398 146 526	Bracket w.connector
9	0398 146 525	Nut locking arm	19	0398 145 512	Locking screw

SLIDE



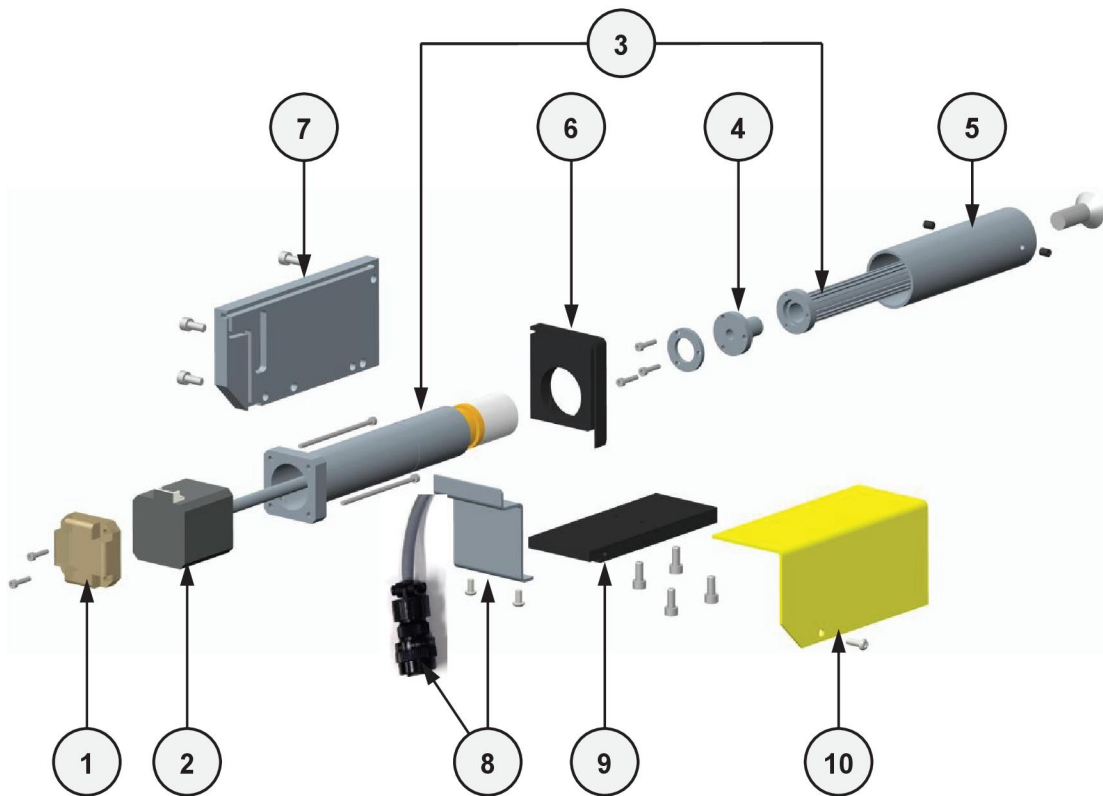
Item	Ordering no.	Denomination
	0398 145 224	Vertical slide cpl.
1	0457 357 273	Knob slide
2	0457 357 247	Slide guides w. screw and top
3	0457 357 248	Slide nut weaver
4	0457 357 245	Slide cover
5	0457 357 246	Slide plate

CONTROL BOX



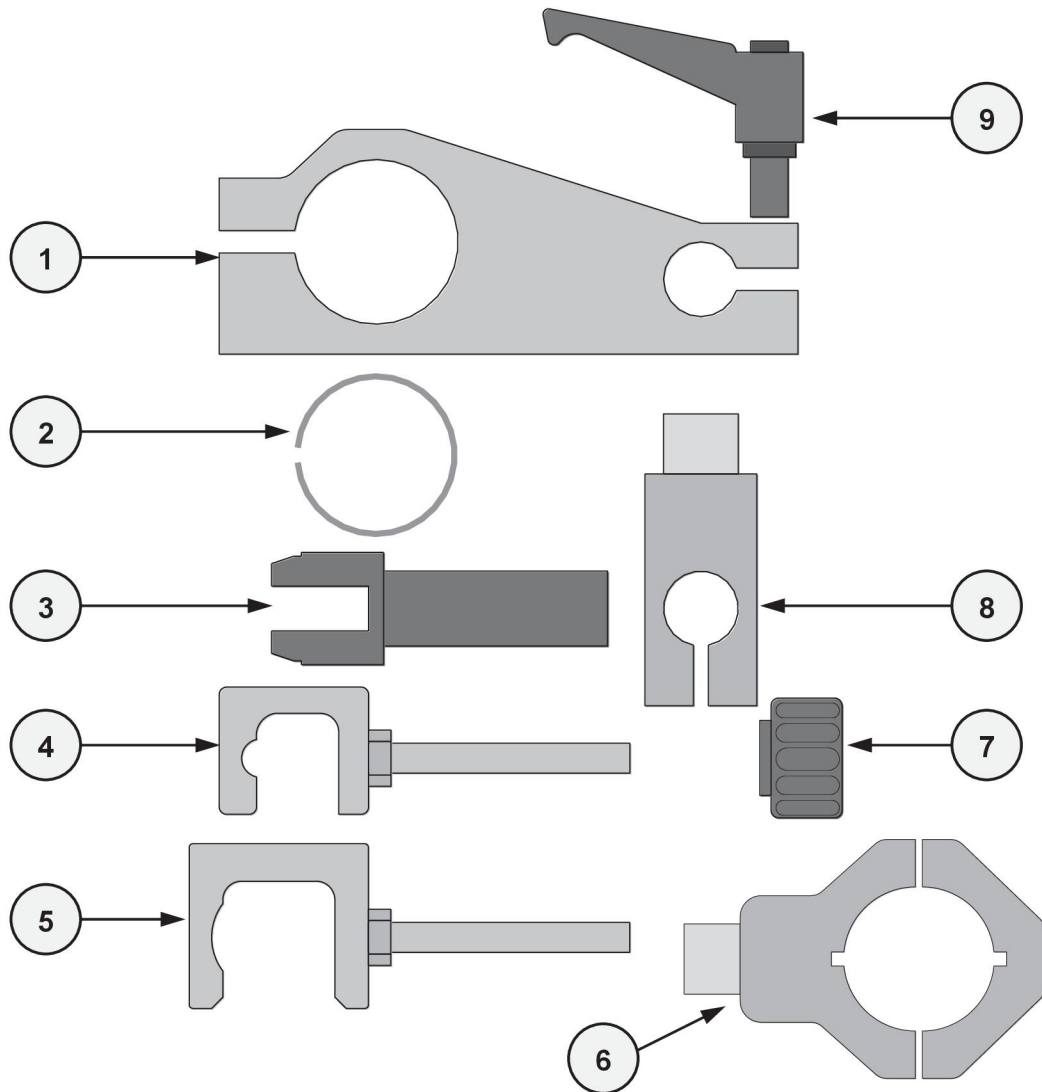
Item	Ordering no.	Denomination
1	0398 146 301	Top plate w. foil
2	0398 146 302	Display x2 w. cable
3	0398 146 303	Switch board
4	0398 146 310	Side plate left car
5	0398 146 401	Power board
6	0398 146 312	Front plate battery
7	0457 468 080	Battery dock cover
8	0457 468 071	Battery dock
9	0398 146 320	12-pin chassis B42V
10	0398 146 321	6-pin chassis remote
11	0398 146 313	End plate
12	0398 146 410	PLC carriage B42V
	0398 146 411	PLC carriage BV2000
13	0398 145 311	Side plate right car
14	0398 146 314	Heat shield

WEAVING UNIT



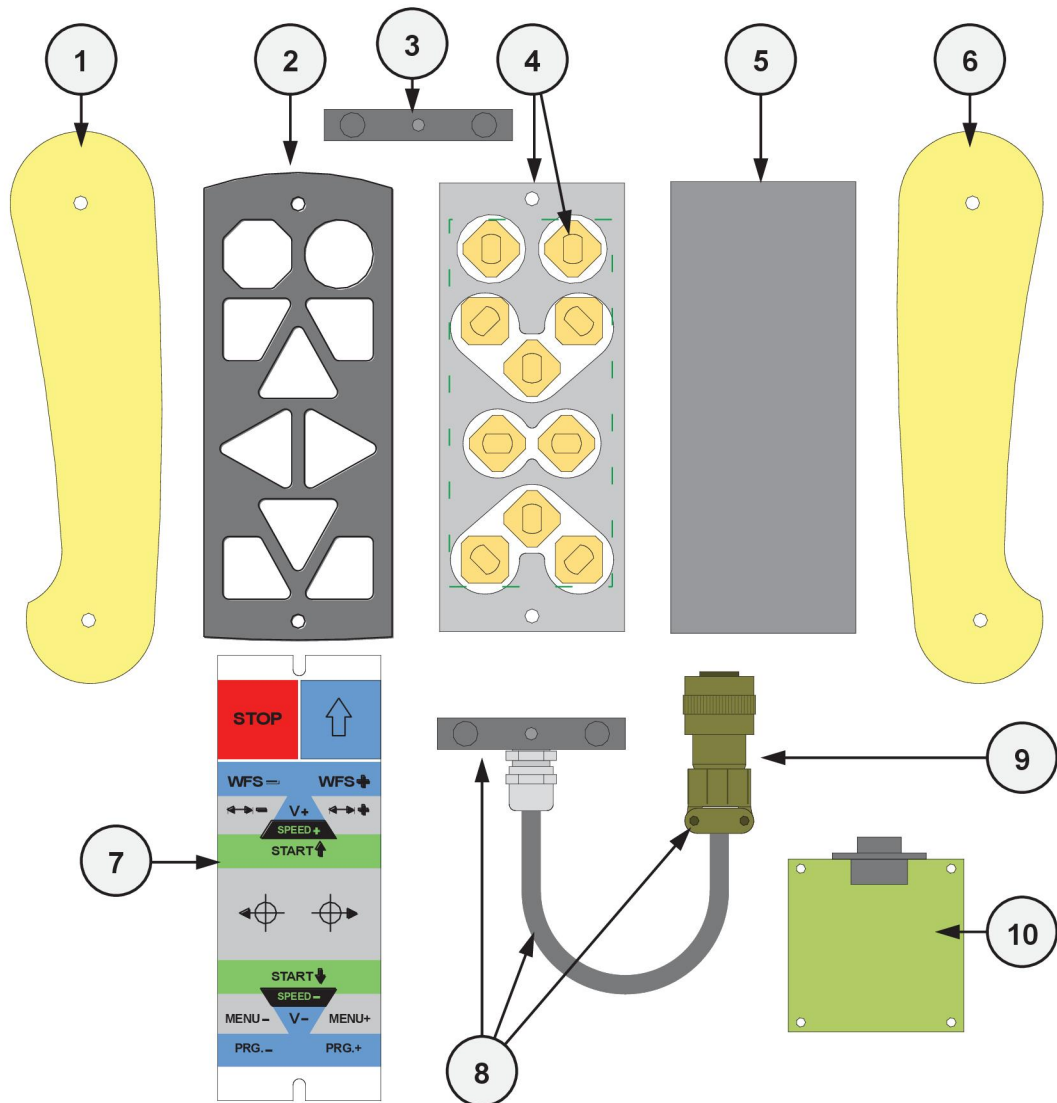
Item	Ordering no.	Denomination
	0398 145 136	Weaving unit cpl.
	0398 145 640	Cpl. center unit, pos: 1-4
1	0398 145 641	Motor driver weaver
2	0398 145 642	Actuator weaver
3	0398145 643	Center unit weaver
4	0398 145 644	Center unit weaver
5	0398 145 645	Front tube weaver
6	0398 145 646	Front plate weaver
7	0398 145 647	Side plate weaver
8a	0398 145 648	Plate w. cable and connector
8b	0398 145 651	Cable connector weaver
9	0398 145 649	Bottom plate weaver
10	0398 145 650	Bottom plate weaver

TORCH BRACKETS



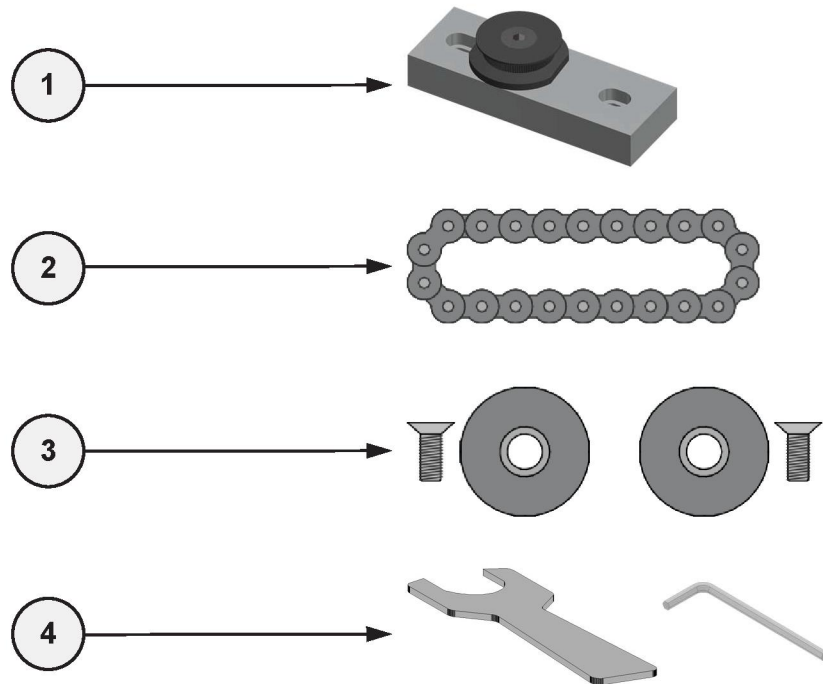
Item	Ordering no.	Denomination
1	0398 145 801	Bracket weaving
2	0398 145 802	Isolation
3	0457 357 251	Welding torch bracket
4	0398 145 107	Torch holder Ø14-22 mm
5	0398 145 106	Torch holder Ø20-30 mm
6	0398 145 108	Torch holder-Robot
7	0457 357 270	Knob M8 small
8	0398 145 808	Intermediate bracket short
9	0417 855 009	Lever

REMOTE CONTROL



Item	Ordering no.	Denomination
	0398 146 480	Remote control cpl.
1	0398 146 441	Side plate left rem.
2	0398 146 443	Top plate rem.
3	0398 146 444	Top bracket rem.
4	0398 146 445	Switch panel rem.
5	0398 146 446	Bottom plate rem.
6	0398 146 442	Side plate right rem.
7	0398 146 447	Front foil rem.
8	0398 146 448	Bracket w. cable and connector
9	0398 146 449	Connector
10	0398 146 421	PLC

ORBITAL KIT B42V



Item	Quantity	Ordering no.	Denomination
		0398 146 801	Orbital kit
1	1	0398 146 500	Drive wheel module
2	1	0398 146 535	Chain
3	2	0398 146 536	Outer disc drive wheel
4	1	0398 146 540	Tool kit drive wheel

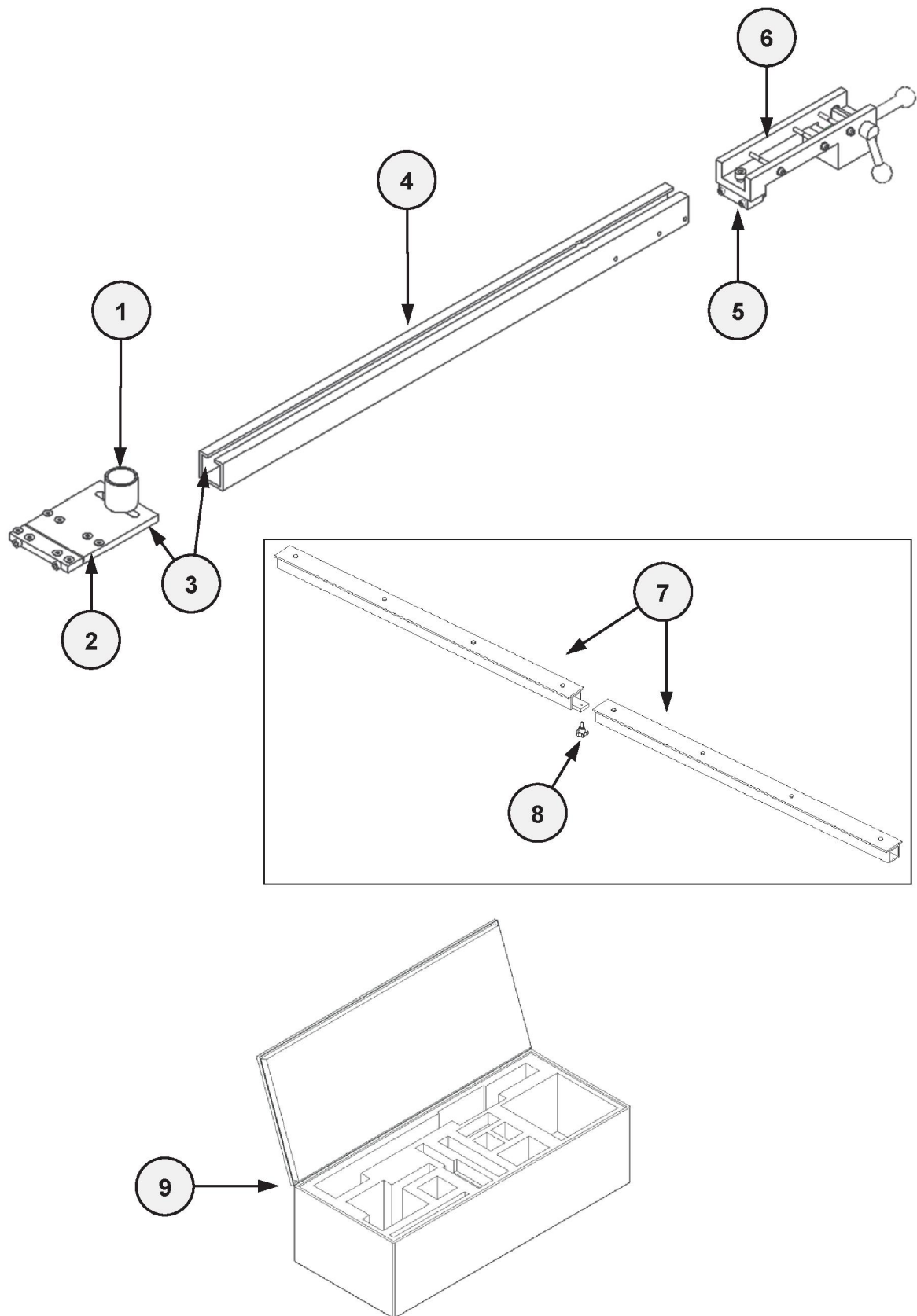
Orbital rings

Ordering no.	Denomination
0449 900 720	Orbital ring 20"
0449 900 722	Orbital ring 22"
0449 900 724	Orbital ring 24"
0449 900 726	Orbital ring 26"
0449 900 728	Orbital ring 28"
0449 900 730	Orbital ring 30"
0449 900 732	Orbital ring 32"
0449 900 734	Orbital ring 34"
0449 900 736	Orbital ring 36"
0449 900 738	Orbital ring 38"

Ordering no.	Denomination
0449 900 740	Orbital ring 40"
0449 900 742	Orbital ring 42"
0449 900 744	Orbital ring 44"
0449 900 746	Orbital ring 46"
0449 900 748	Orbital ring 48"
0449 900 750	Orbital ring 50"
0449 900 752	Orbital ring 52"
0449 900 754	Orbital ring 54"
0449 900 756	Orbital ring 56"
0449 900 758	Orbital ring 58"
0449 900 760	Orbital ring 60"
0449 900 762	Orbital ring 62"

Each ring fits pipe $\varnothing \pm 1$ "

RAIL BRACKET BV2000



Item	Ordering no.	Denomination
	0398 145 190	Rail bracket cpl. (pos. 1-6)
1	0398 145 401	Knob
2	0398 145 402	Alu bracket BV
3	0398 145 403	Nut bracket BV
4	0398 145 404	Rail 800 mm BV
5	0398 145 405	Screw M8 2 pc.
6	0398 145 407	Locking bracket cpl.
7	0398 145 127	Rail 2 m BV2000
8	0398 146 721	Knob M6
9	0398 145 198	Transport box Railtrac™



A WORLD OF PRODUCTS AND SOLUTIONS.



For contact information visit esab.com

ESAB AB, Lindholmsallén 9, Box 8004, 402 77 Gothenburg, Sweden, Phone +46 (0) 31 50 90 00

<http://manuals.esab.com>

